



FLEX-I-TRACK® 132 Series Track Installation Instructions

Manufactured by



AUTOMATIC DEVICES COMPANY

7313 Varna Avenue, North Hollywood, CA 91605

Toll free: (800) 341-3165 Phone: (818) 503-0596 Fax: (818) 503-0599

E-MAIL: info@skdrapes.com

www.sktheatricaldraperies.com

INSTALLATION INSTRUCTIONS FOR FLEX-I-TRAC MODELS 132, 132-A, 132-B, 132-C

1. If the track requires curving do so now. Follow instructions on curving track for bending tool being used.
2. If tracks need to be spliced, install the splice clamps now. Be sure to check the alignment of the tracks and the condition of the ends of the track sections. If the ends of the tracks have burrs or a rough edges, remove them with a file. The sections of the Model 1324 splice clamps are positioned between the top and middle flange of the Model 1300 track.
3. Install the 1308 hanging clamps or 1423 ceiling clamps with the hardware provided. Spacing between these device should not exceed 4 feet. Clamps should be placed on either side of each splice, each sharp curve, and along the curve of the track if the curve radius is large.
4. Lift track to its desired location and secure with appropriate hardware and suspension media if needed.
5. Install the carriers to the track by sliding them onto the bottom flange of the track.
6. Install a 1309 End Stop to each open end of track.
7. A tow line or baton may be attached to the lead carrier to reduce the stress on the curtain fabric as it is operated.
8. A 1-1/4" pipe stiffener is recommended to provide support all suspended tracks, particularly curved track systems.

TRACK MODEL

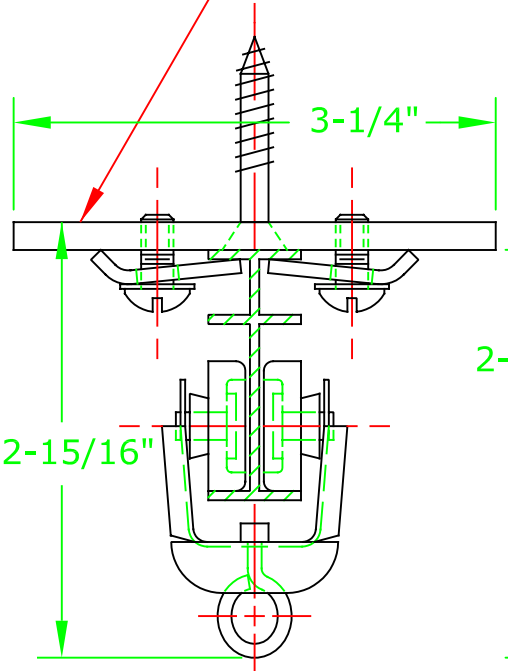
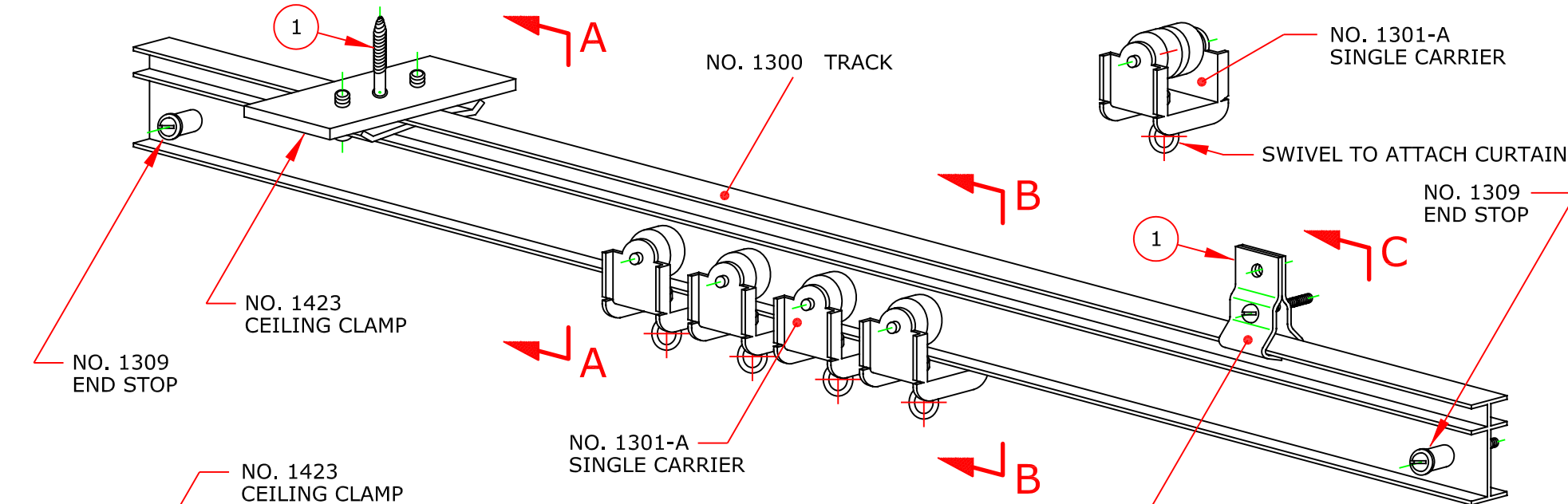
CARRIER PROVIDED

132	1301
132-A	1301-A
132-B	1337
132-C	1337-A

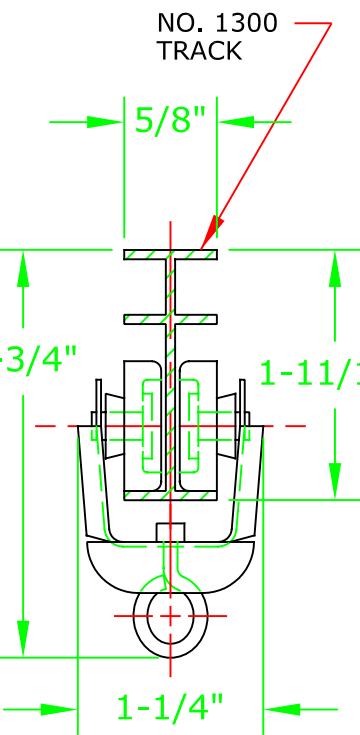
REV.

DATE:

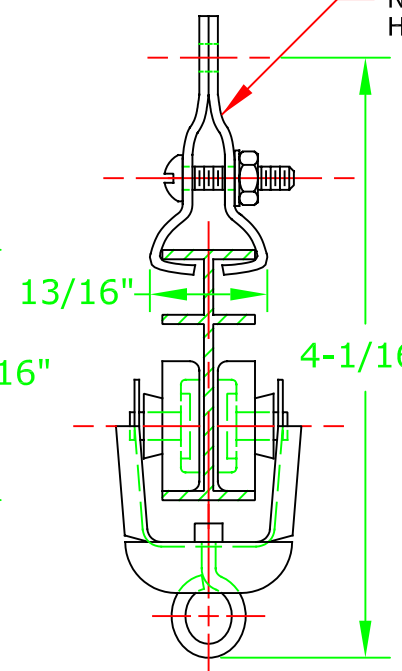
FORM NO.: 132AWAS



SECTION A-A
SCALE: 3/4"=1"



SECTION B-B
SCALE: 3/4"=1"



SECTION C-C
SCALE: 3/4"=1"

NOTES:

- 1 TRACK SYSTEM MUST BE MOUNTED DIRECTLY TO AN OVERHEAD STRUCTURE USING EITHER NO. 1423 CEILING CLAMPS OR NO. 1308 HANGING CLAMPS.

ado AUTOMATIC DEVICES COMPANY
2121 S. 12TH ST. ALLENTOWN, PA 18103

THIS DRAWING HAS BEEN PREPARED AS A SERVICE TO OUR CUSTOMER AND IS INTENDED ONLY TO BE SUGGESTIVE IN NATURE AND IS NOT TO BE USED AS AN ACTUAL INSTALLATION DRAWING. PREVAILING JOB CONDITIONS AND ACCEPTED PRACTICES MUST BE TAKEN INTO ACCOUNT WHEN THE EQUIPMENT IS INSTALLED.

SIZE A	DATE 8/13/04	SERIES MODEL 132-A
DRAWN BY JEK		DESCRIPTION FLEX-I-TRAC CURTAIN TRACK
APPROVED BY		INSTALLATION DRAWING
SCALE 3/8"=1		WALK-ALONG OPERATION
SHEET 1 OF 1		DWG NO. II-132AWA-1-04