



SPECIFINE® 113 Series Track Installation Instructions

Manufactured by



AUTOMATIC DEVICES COMPANY

7313 Varna Avenue, North Hollywood, CA 91605

Toll free: (800) 341-3165 Phone: (818) 503-0596 Fax: (818) 503-0599

E-MAIL: info@skdrapes.com

www.sktheatricaldraperies.com

INSTALLATION INSTRUCTIONS SPECIFINE MODEL 113

BI-PART OPERATION

1. LAY THE TRACK CHANNEL (1100A) ON THE FLOOR IN AN INVERTED POSITION (TRACK SLOT FACING UPWARD). EQUALLY DIVIDE THE SINGLE (1131) AND MASTER (1132) CARRIERS FOR EACH HALF OF THE TRACK. **DO NOT** INSERT THE CARRIERS INTO THE TRACK AT THIS TIME. LINE THE CARRIERS UP ON THE FLOOR AT EACH END OF THE TRACK CHANNEL WITH THE MASTER CARRIERS BEING CLOSEST TO THE TRACK FOLLOWING BY THE SINGLE CARRIERS.
2. PLACE THE LIVE-END AND DEAD-END PULLEYS ON THE FLOOR FOLLOWING THE SINGLE CARRIERS.
3. THREAD ONE END OF THE OPERATING CORD THROUGH ONE OF THE SHEAVES OF THE LIVE-END PULLEY (1133) UNDER THE SINGLE CARRIERS (BETWEEN THE WHEELS) AND THROUGH THE BODY OF THE MASTER CARRIER, CONTINUE THE CORD THROUGH THE TRACK, UNDER THE OTHER HALF OF SINGLE CARRIERS, AROUND THE DEAD-END PULLEY (1134) BACK UNDER THE SINGLE CARRIERS AND TO THE SECOND MASTER CARRIER . TIE OFF THE CORD TEMPORARILY AT THE SECOND MASTER CARRIER.
4. THREAD THE REMAINING END OF THE OPERATING CORD THROUGH THE FLOOR PULLEY (1135) THEN AROUND THE OTHER SHEAVE OF THE LIVE-END PULLEY, UNDER THE SINGLE CARRIERS AND BY-PASS THE FIRST MASTER CARRIER. CONTINUE THE CORD THROUGH THE TRACK, TO THE SECOND MASTER CARRIER AND TIE OFF TEMPORARILY AT THIS MASTER CARRIER.
5. INSERT THE MASTER AND SINGLE CARRIERS INTO THE CHANNEL FROM THEIR RESPECTIVE ENDS MAKING SURE THAT THE OPERATING CORD REMAINS **BETWEEN** THE WHEELS OF THE CARRIERS.
6. INSERT AND FASTEN THE LIVE AND DEAD END PULLEYS INTO THE CHANNEL ENDS. BE SURE AND REMOVE SOME OF THE CORD SLACK BY REPOSITIONING THE FLOOR PULLEY AND APPLYING TENSION TO THE OPERATING CORD WHILE THIS IS DONE SO THAT THE CORD REMAINS SEATED IN THE SHEAVE GROOVES AND BETWEEN THE SINGLE CARRIER WHEELS.
7. THE SYSTEM CAN NOW BE MOUNTED TO THE CEILING OR OVERHEAD STRUCTURE. IF THE SYSTEM IS TO BE CEILING MOUNTED, DRILL HOLES AT TRACK CENTER AT MAXIMUM 4 FOOT INTERVALS ALONG THE TRACK LENGTH AND AT THE LIVE-END AND DEAD-END ASSEMBLIES. THE TRACK SYSTEM IS THEN ATTACHED TO THE CEILING OR OVERHEAD STRUCTURE WITH APPROPRIATE MOUNTING HARDWARE THROUGH THESE HOLES .

IF THE SYSTEM IS SUSPENDED, THE TRACK MUST BE DRILLED AND THE LIVE AND DEAD END ASSEMBLIES MUST BOLTED TO THE TRACK CHANNEL ENDS. HANGING CLAMPS (1138) ARE THEN BOLTED ALONG THE TRACK CHANNEL AT 4 FOOT MAXIMUM INTERVALS. THE TRACK IS THEN LIFTED INTO PLACE AND SECURED TO THE OVERHEAD STUCUTURE WITH APPROPRIATE MOUNTING HARDWARE.

8. WITH THE TRACK SECURELY MOUNTED, MOUNT THE FLOOR PULLEY (1135), OR CURTAIN MACHINE (IF MOTORIZED) TO THE FLOOR DIRECTLY UNDER THE LIVE-END PULLEY. MAKE SURE THAT THE OPERATING LINES REMAIN ALIGNED WITH THE LIVE END PULLEY.
9. POSITION THE MASTER CARRIERS AT EQUAL DISTANCES FROM THEIR RESPECTIVE ENDS OF THE TRACK CHANNEL. REMOVE SLACK FROM THE SYSTEM AT THE MASTER CARRIER WITH THE 2 CUT ENDS OF CORD, BE SURE AND LOOP THE CORD OVER THE CORD FINGERS OF THE MASTER CARRIER AND SECURE THE CUT ENDS WITH THE CABLE CLAMPS PROVIDED. AT THE OTHER MASTER CARRIER, PULL THE OPERATING CORD THROUGH THE CORD WINDOW OF THE MASTER CARRIER BODY AND LOOP IT THOUGH THE CORD FINGERS OF THE MASTER CARRIER.

ONE-WAY OPERATION

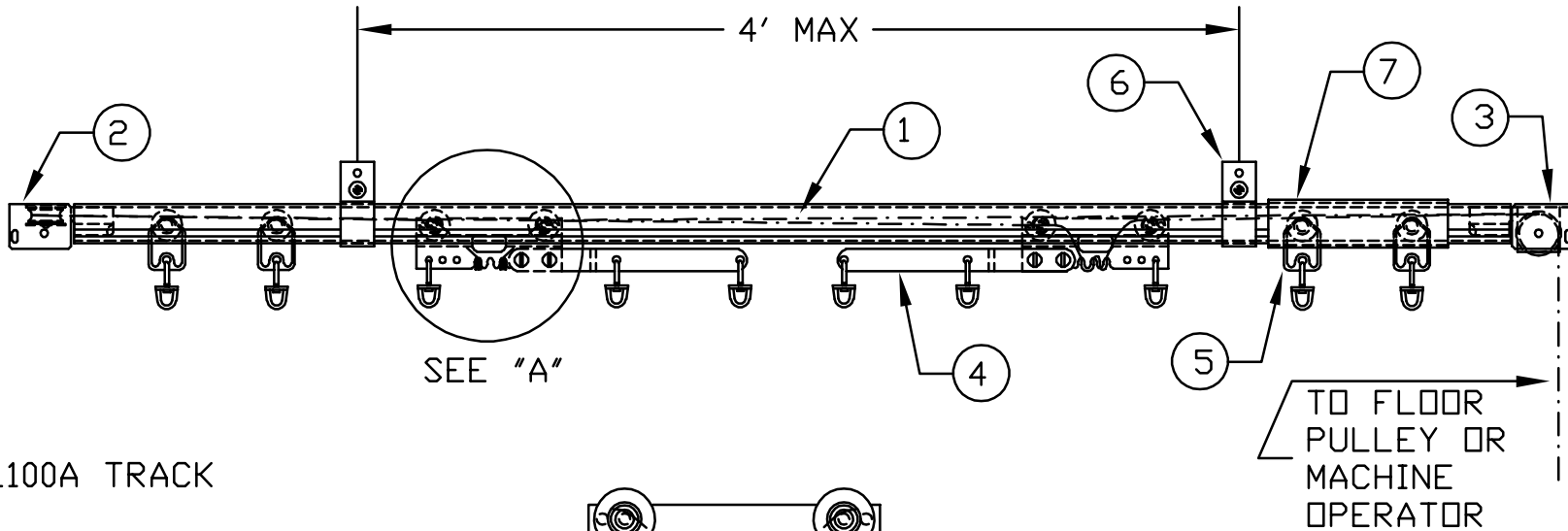
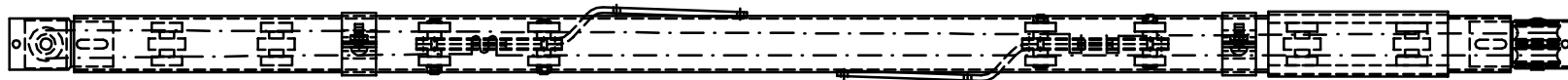
FOLLOW THE ABOVE PROCEDURE EXCEPT USE ONLY ONE MASTER CARRIER AND PLACE ALL OF THE SINGLE CARRIERS BEHIND THIS SINGLE MASTER CARRIER. WITH THIS METHOD THE CUT ENDS OF THE CORD ARE LOCATED AT THE SINGLE MASTER CARRIER.

IMPORTANT NOTES

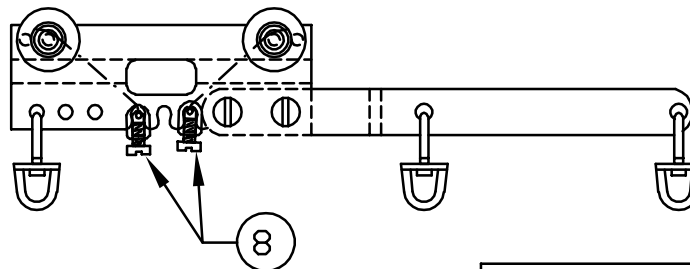
DUE TO THE OPERATING FORCES OF THE SYSTEM, SUSPENDED SYSTEMS BE SUPPORTED AT THE TWO EXTREME ENDS OF THE TRACK.

BE SURE AND USE APPROPRIATE MOUNTING HARDWARE FOR CEILING AND SUSPENDED TYPE SYSTEMS.

MAKE SURE THAT THE OPERATING CORD REMAINS **BETWEEN** THE WHEELS OF THE CARRIERS AND DOES NOT CROSS OVER BETWEEN THE MASTER CARRIER AND THE LIVE AND DEAD END PULLEYS.



SEE "A"



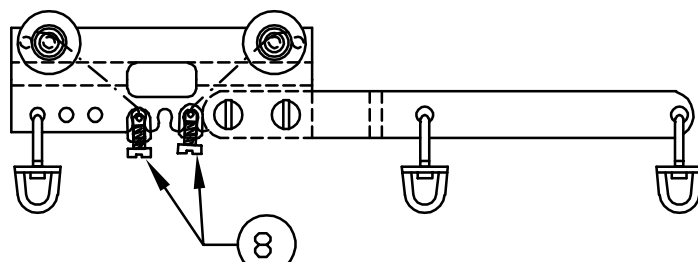
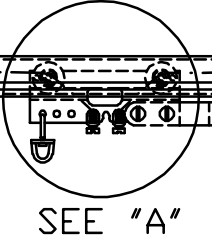
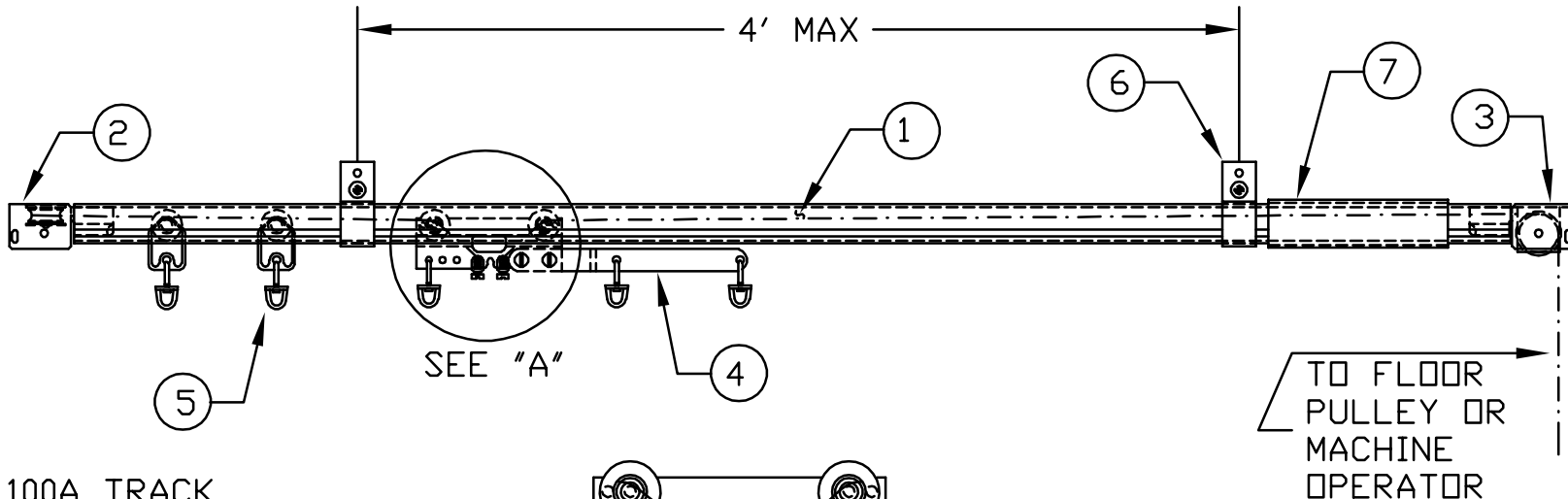
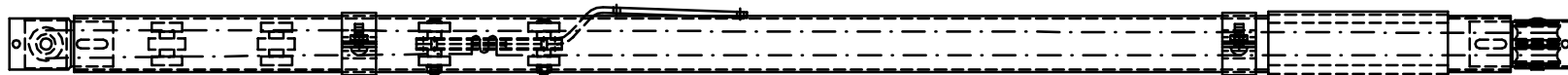
"A"
ENLARGED VIEW

- ① 1100A TRACK
- ② 1134 DEAD END PULLEY
- ③ 1133 LIVE END PULLEY
- ④ 1132 MASTER CARRIER
- ⑤ 1131 SINGLE CARRIER
- ⑥ 1138 HANGING CLAMP (IF USED)
- ⑦ 1124A SPLICING CLAMP (IF NEEDED)
- ⑧ C-092 CABLE CONNECTOR

AUTOMATIC DEVICES COMPANY
2121 S. 12TH ST. ALLENTOWN, PA 18103

THIS DRAWING HAS BEEN PREPARED AS A SERVICE TO OUR CUSTOMER AND IS INTENDED ONLY TO BE SUGGESTIVE IN NATURE AND IS NOT TO BE USED AS AN ACTUAL INSTALLATION DRAWING. PREVAILING JOB CONDITIONS AND ACCEPTED PRACTICES MUST BE TAKEN INTO ACCOUNT WHEN THE EQUIPMENT IS INSTALLED.

SIZE	DATE	INSTALLATION INSTRUCTIONS	REV
A	08/18/98		
DRAWN BY	APPROVED BY	DESCRIPTION 113 TRACK ASSEMBLY - BI-PART	
GAR			
SCALE	SHEET	DWG NO.	
NTS	1 OF 2	II-113BP-98	

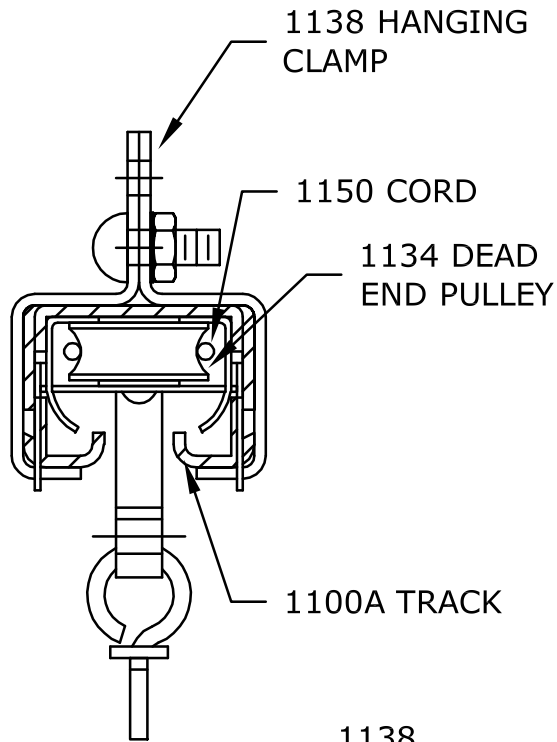


"A"
ENLARGED VIEW

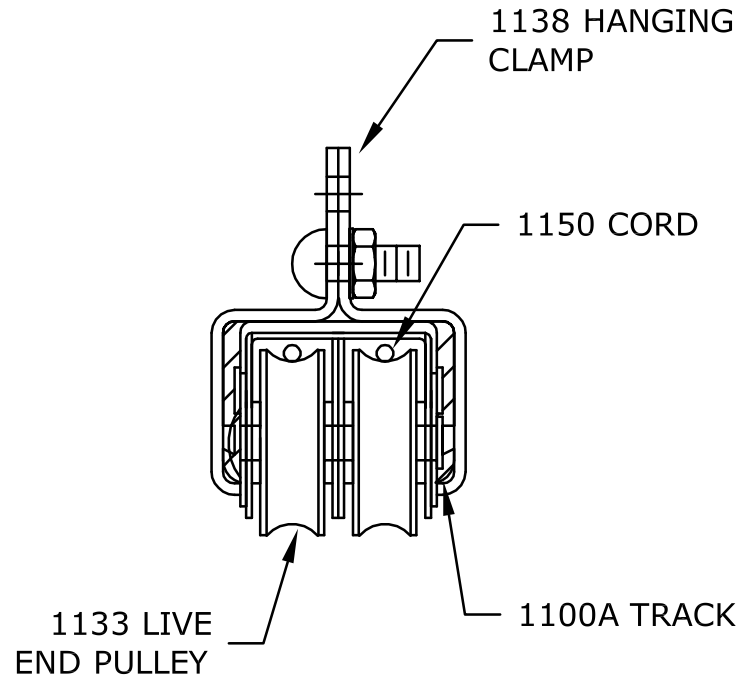
- ① 1100A TRACK
- ② 1134 DEAD END PULLEY
- ③ 1133 LIVE END PULLEY
- ④ 1132 MASTER CARRIER
- ⑤ 1131 SINGLE CARRIER
- ⑥ 1138 HANGING CLAMP
(IF USED)
- ⑦ 1124A SPLICING CLAMP
(IF NEEDED)
- ⑧ C-092 CABLE CONNECTOR

AUTOMATIC DEVICES COMPANY 2121 S. 12TH ST. ALLENTOWN, PA 18103			
THIS DRAWING HAS BEEN PREPARED AS A SERVICE TO OUR CUSTOMER AND IS INTENDED ONLY TO BE SUGGESTIVE IN NATURE AND IS NOT TO BE USED AS AN ACTUAL INSTALLATION DRAWING. PREVAILING JOB CONDITIONS AND ACCEPTED PRACTICES MUST BE TAKEN INTO ACCOUNT WHEN THE EQUIPMENT IS INSTALLED.			
SIZE	DATE	INSTALLATION INSTRUCTIONS	REV
A	09/14/98		
DRAWN BY	APPROVED BY	DESCRIPTION 113 TRACK ASSEMBLY - ONE-WAY	
GAR			
SCALE	SHEET	DWG NO.	
NTS	1 OF 2	II-113LEG-98	

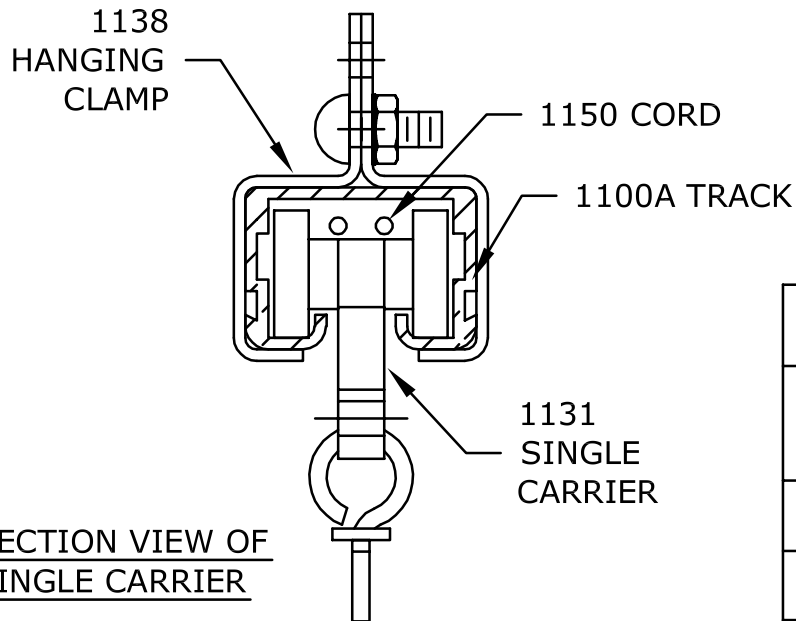
REV DATE:



END VIEW OF DEAD END PULLEY



END VIEW OF LIVE END PULLEY



SECTION VIEW OF SINGLE CARRIER

AUTOMATIC DEVICES COMPANY
2121 S. 12TH ST. ALLENTOWN, PA 18103

THIS DRAWING HAS BEEN PREPARED AS A SERVICE TO OUR CUSTOMER AND IS INTENDED ONLY TO BE SUGGESTIVE IN NATURE AND IS NOT TO BE USED AS AN ACTUAL INSTALLATION DRAWING. PREVAILING JOB CONDITIONS AND ACCEPTED PRACTICES MUST BE TAKEN INTO ACCOUNT WHEN THE EQUIPMENT IS INSTALLED.

SIZE A	DATE 08/19/98	INSTALLATION INSTRUCTIONS	REV
DRAWN BY GAR	APPROVED BY	DESCRIPTION END VIEW & SECTION VIEW OF 1133,1134 & 1131	
SCALE 1"=1"	SHEET 2 OF 2	DWG NO. II-113-98	